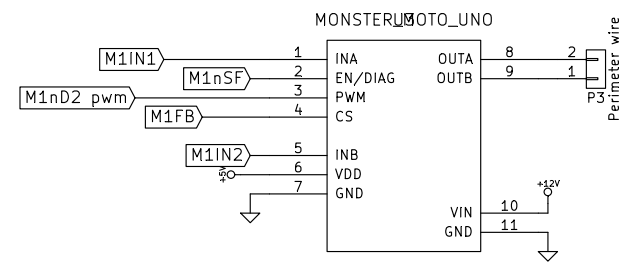


Jump. pos. 1-2 Use case 1 : Battery charger
 Jump. pos. 2-3 Use case 2 : Solar panel with controller
 and auxiliary power supply for perimeter wire

LED Mower_in_station
 Active when the mower is on the charging station.

RGB LED
 Green blinking when perimeter is active. Red active if there is an error.



- ACS712 : 0A => Vcc/2 and 66 mV/A for 30A module
 INa 0 INb 1 => OUTa 0 OUTb 1
 INa 1 INb 0 => OUTa 1 OUTb 0

was OUTA now OUT1
 was OUTB now OUT2

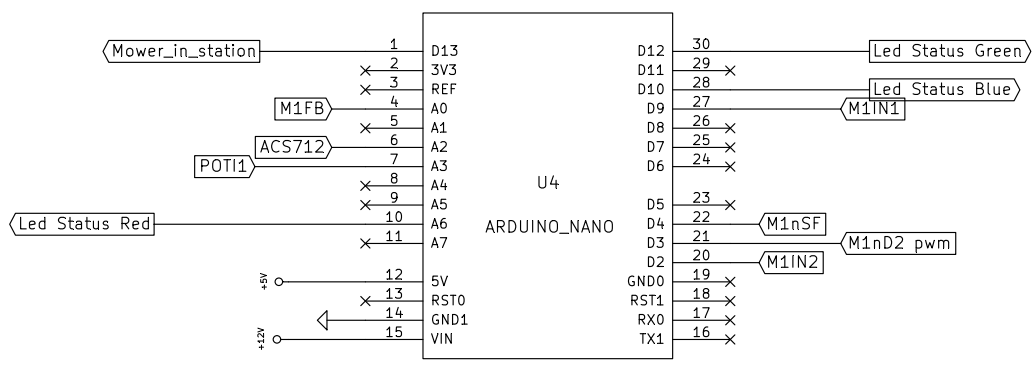
MC33926 => VN2SP30
 M1FB : to CS => need to adapt source code
 was 525 mV per amp, now 87,95uA sens / 1A out => now 140mV/A

M1IN1/N2 : now INA, INB => OK

PWM => OK

EN (D5) : was enable low power mode
 now, no power mode so not connected

SF : same function and levels => OK



File: Perimeter sender v2.sch		
Sheet: /		
Title: Perimeter sender (simple version)		
Size: A4	Date: 10 jan 2016	Rev: A
KiCad E.D.A. eschema (2013-07-07 BZR 4022)-stable		Id: 1/1